

# DS6 SERIES 4 1/2 Current/voltage Meter

## OPERATION GUIDE

Thanks for the purchasing our DS6 series Current /Voltage Meter. Please do read the manual before the use of the meters so that you could make a full acknowledgment of our product and operate it correctly. The edition of the manual is RE-D-07A0. This manual is subject to change without notice. For any update, please visit our web [www.pan-globe.cn](http://www.pan-globe.cn)

## 1 Product Overview

### ◆ Appearance



### ◆ Characteristics

1. Strong anti-interference;
2. Single-row 5-bit LED 0.8 "digital LED display;
3. It can measure signal of DC /AC Current and voltage / potentiometer / PT100 transmitter, etc;
4. It has the function of keeping the general value \ maximum value, 4 Sets alarm function;
5. 4 1 / 2 / RS-485 communications / standard signal measurement transmission;
6. Zeroing function.

## 2 Attention

### ⚠ Dangerous

1. Attention! Dangerous to sense!
2. Do not touch the power terminal after supply AC power, in order to avoid electric shocks.
3. When connect with instrument power, please make sure to power off!

### ⚠ Admonition

1. Please make sure of terminal position is correct before AC power supply in order to avoid of serious damage.
2. Please pre-determined power supply voltage and instrument specifications (AC85~265V or DC24V) correspond in order to avoid of serious damage.
3. Please confirm receipt of proper use of wiring (Input, Output, Alarm) terminals.
4. Please select of proper pressure terminal with the type of M3 screws.
5. Please do not be installed under the conditions of easy to interfere, corrosive gases, high temperature and humidity.
6. To avoid other interference, please keep the power wires supplied distance from power wire and load wire
7. When input the sensor is PT100, if we need to extend the lead wire, please use smaller impedance value, and the same wire.

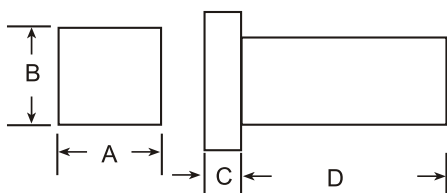
## 3 Model identification

|          |      |              |      |                    |      |                |             |      |               |      |   |   |   |
|----------|------|--------------|------|--------------------|------|----------------|-------------|------|---------------|------|---|---|---|
| DS       | □    | —            | □    | —                  | □    | —              | □           | —    | □             | —    | □ | — | □ |
| Size     | Code | Alam         | Code | Measurement signal | Code | Measured Range | Tranmission | Code | Communication | Code |   |   |   |
| DIN48x96 | 6    | only display | 0    | DC voltage         | DV   |                | NONE        | 0    | NONE          | 0    |   |   |   |
|          |      | one alarm    | 1    | DC current         | DA   |                | 4-20mA      | I    | RS485         | R    |   |   |   |
|          |      | two alarms   | 2    | AC Voltage         | AV   |                |             |      |               |      |   |   |   |
|          |      | three alarms | 3    | AC current         | AA   |                |             |      |               |      |   |   |   |
|          |      | four alarms  | 4    | Resistance         | R    |                |             |      |               |      |   |   |   |

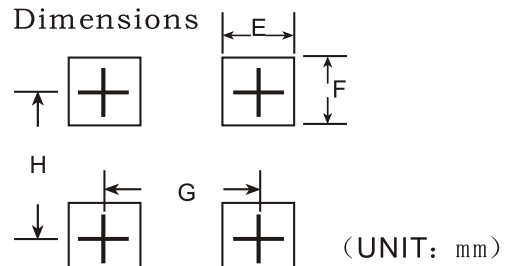
## 4 Installation and mounting

### ■ DS6

#### Appearance



#### Dimensions

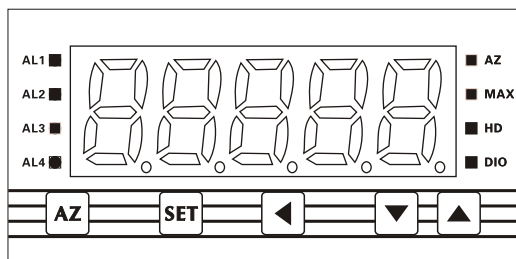


(UNIT: mm)

| SIZE TYPE | A  | B  | C  | D  | E      | F      | G  | H   |
|-----------|----|----|----|----|--------|--------|----|-----|
| DS6       | 96 | 48 | 14 | 80 | 90+0.5 | 44+0.5 | 90 | 126 |

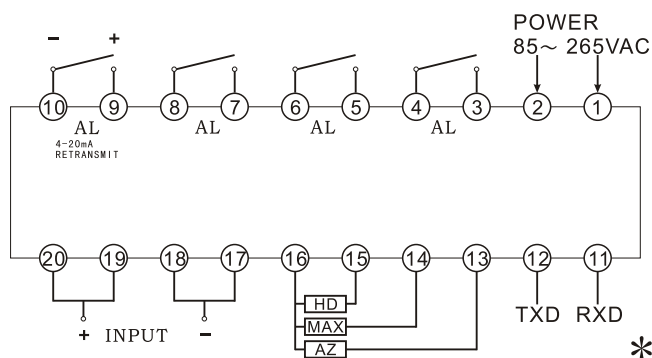
## 5 Panal characteristics

### ■ DS6



| NO | Panal Words | Content Instruction   |
|----|-------------|-----------------------|
| 1  | PV LED      | Real measure data     |
| 2  | AL1         | Alarm 1 indicator     |
| 3  | AL2         | Alarm 2 indicator     |
| 4  | AL3         | Alarm 3 indicator     |
| 5  | AL4         | Alarm 4 indicator     |
| 6  | AZ          | Zero indicator        |
| 7  | MAX         | Display max indicator |
| 8  | HD          | HOL indicator         |
| 9  | DIO         | RS485 indicator       |
| 10 | AZ          | AZ key                |
| 11 | SET         | Confirmation key      |
| 12 | ◀           | Turn left key         |
| 13 | ▼           | Decrease key          |
| 14 | ▲           | Increase key          |

## 6 Connecting

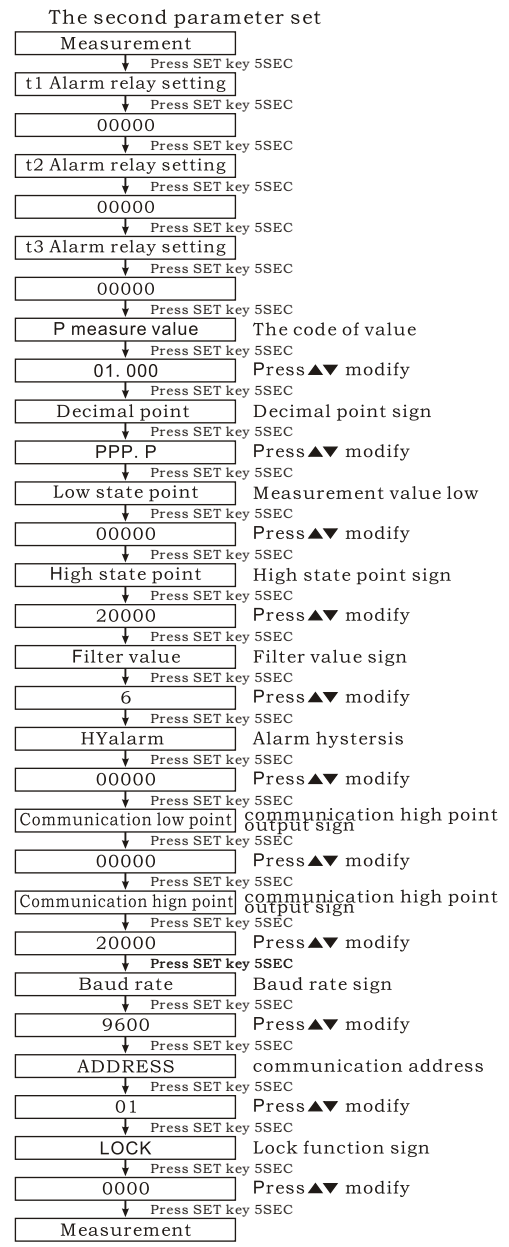
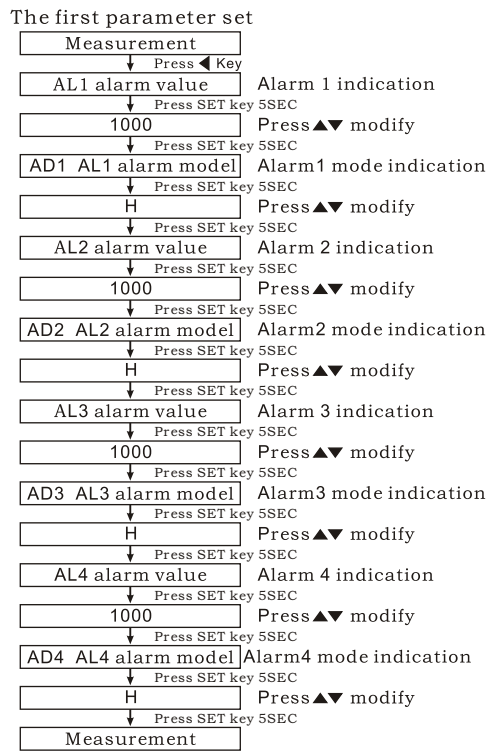


\* NOTE: The wiring diagrams obey the label on the back of this controller.

## 7 Characteristics index

|                             |                                |
|-----------------------------|--------------------------------|
| Power voltage               | AC85~265V 50/60Hz              |
| Electron power consumption  | <5W                            |
| Relay contact capacity      | 250VAC/3A OR 30VDC/5A          |
| Intepreted degree           | 1/20000                        |
| Insulated resistance        | ≥100MΩ                         |
| Insulated intensity         | 1.5KV/0.5mA 1M                 |
| Group pulse interference    | ±1.5KV                         |
| Vibration                   | 10~55Hz; 0.75mm                |
| Environment                 | 0~50℃, 35~85%RH(without ice)   |
| Signal input                | AA AV DA DV R                  |
| Long-time overload capacity | 120%FS Overload diaplay "UUUU" |
| Measured range              | Display -19999~20000           |
| Presicion                   | 0.2%FS ± 2DIGIT                |
| Measured method             | Average value                  |
| Sampling time               | 16 cycles/sec(max)             |

# 8 Operation



while LCK=0000 , all of the parameters can be revised .  
 while LCK=0001 , all of the parameters can't be revised except LCK,AL1,AD1,AL2,AD2, AL3,AD3,AL4,AD4 .  
 while LCK=0110 , all of the parameters can't be revised except LCK .

\* Whichever level when the controller stops in, it will back to measure status after stop operating in 1 minute. Indicate Display status. (Press▲ and ▼ simultaneously, and it will back quickly after release measure status , display status )

# 9 Type and Technology parameter

## ◆ AV/DV digital voltage meter

| Type      | Measured range | Intepreted degree | Precise         | singnal input | Instruction                                    |
|-----------|----------------|-------------------|-----------------|---------------|------------------------------------------------|
| DS6-AV100 | 100VAC         | 100mVAC           | ±0.2F.S ±2digit | direct input  | A.C munual inductor may change is 100 V inputs |
| DS6-AV600 | 600VAC         | 10mVAC            | ±0.2F.S ±2digit | direct input  |                                                |
| DS6-DV20  | 20VDC          | 10mVDC            | ±0.2F.S ±2digit | direct input  |                                                |
| DS6-DV200 | 200VDC         | 10mVDC            | ±0.2F.S ±2digit | direct input  |                                                |
| DS6-DV500 | 500VDC         | 10mVDC            | ±0.2F.S ±2digit | direct input  |                                                |

## ◆ AC/DC digital current meter

| Type      | Measured range | Intepreted degree | Precise         | singnal input | Instruction                                                                      |
|-----------|----------------|-------------------|-----------------|---------------|----------------------------------------------------------------------------------|
| DS6-AA20  | 20AAC          | 1mAAC             | ±0.2F.S ±2digit | 20A:5A        | A.C munual inductor may change is 5A, and D.C munual inductor may change is 75mA |
| DS6-AA100 | 100AAC         | 10mAAC            | ±0.2F.S ±2digit | 100A:5A       |                                                                                  |
| DS6-AA200 | 200AAC         | 10mAAC            | ±0.2F.S ±2digit | 200A:5A       |                                                                                  |
| DS6-DA20  | 20ADC          | 1mADC             | ±0.2F.S ±2digit | 20A:75mV      |                                                                                  |
| DS6-DA50  | 50ADC          | 1mADC             | ±0.2F.S ±2digit | 50A:75mV      |                                                                                  |
| DS6-DA200 | 200ADC         | 10mADC            | ±0.2F.S ±2digit | 200A:75A      |                                                                                  |